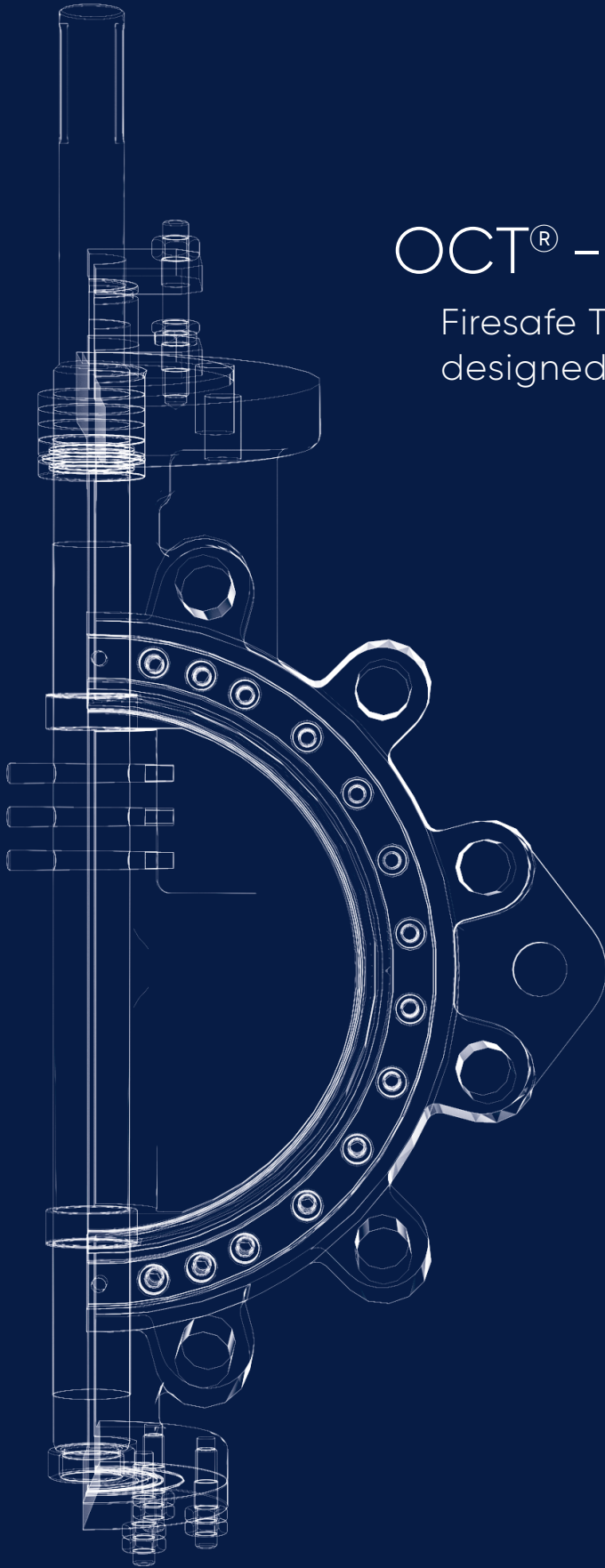


# OCT<sup>®</sup> – SW 8500 Series

Firesafe Triple Offset Butterfly valves  
designed for seawater applications



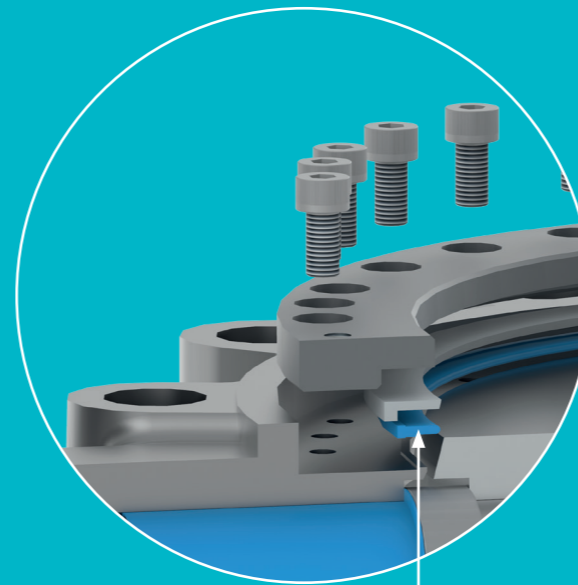
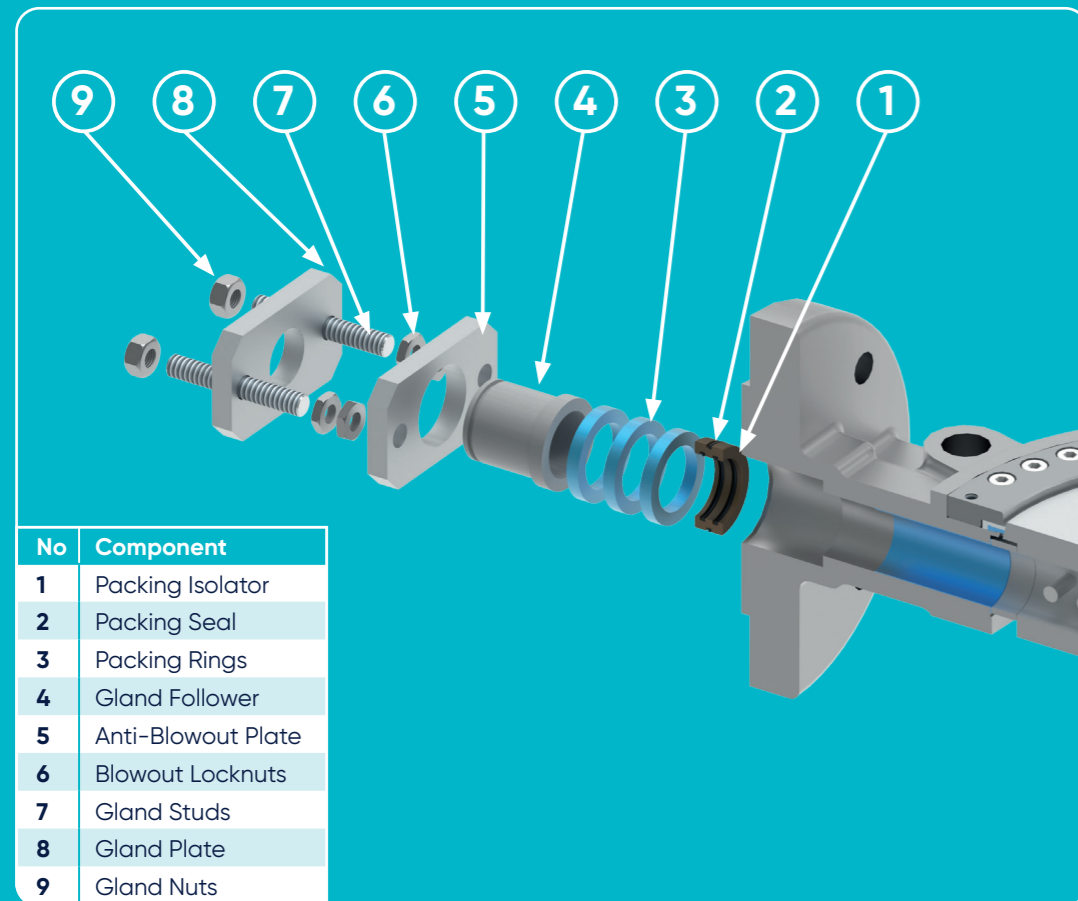
It all flows from expertise.

The OCT®-SW, Triple Offset Butterfly valve is designed to meet the precise demands of the offshore industry, and other applications where seawater is a critical line fluid and where galvanic corrosion is a concern.

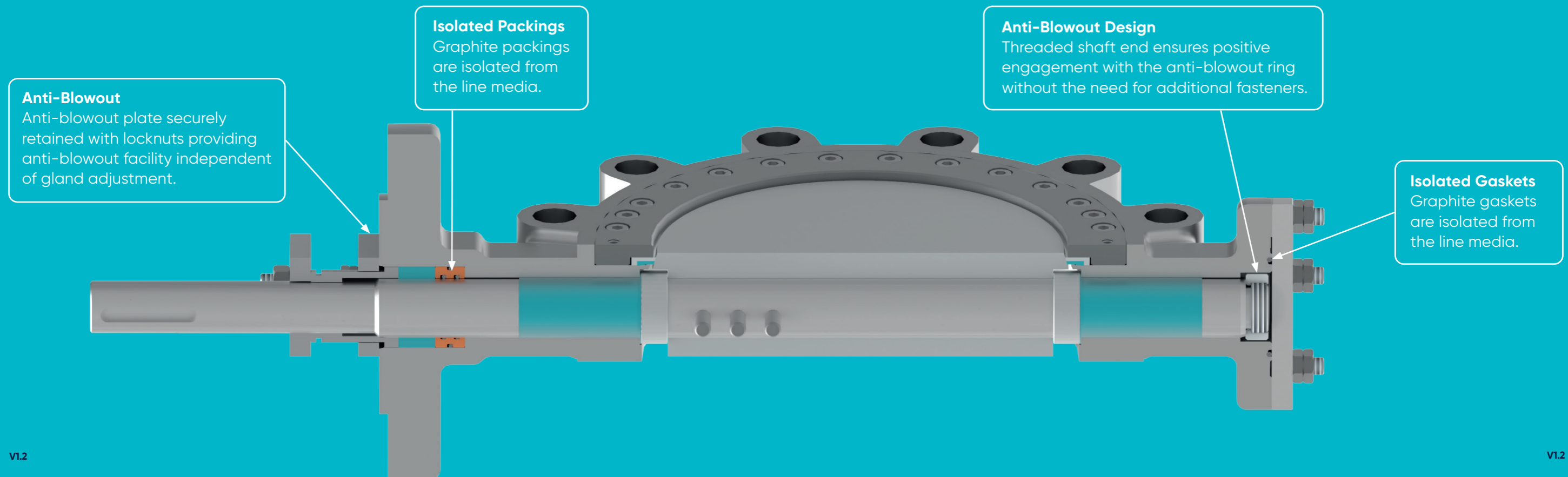
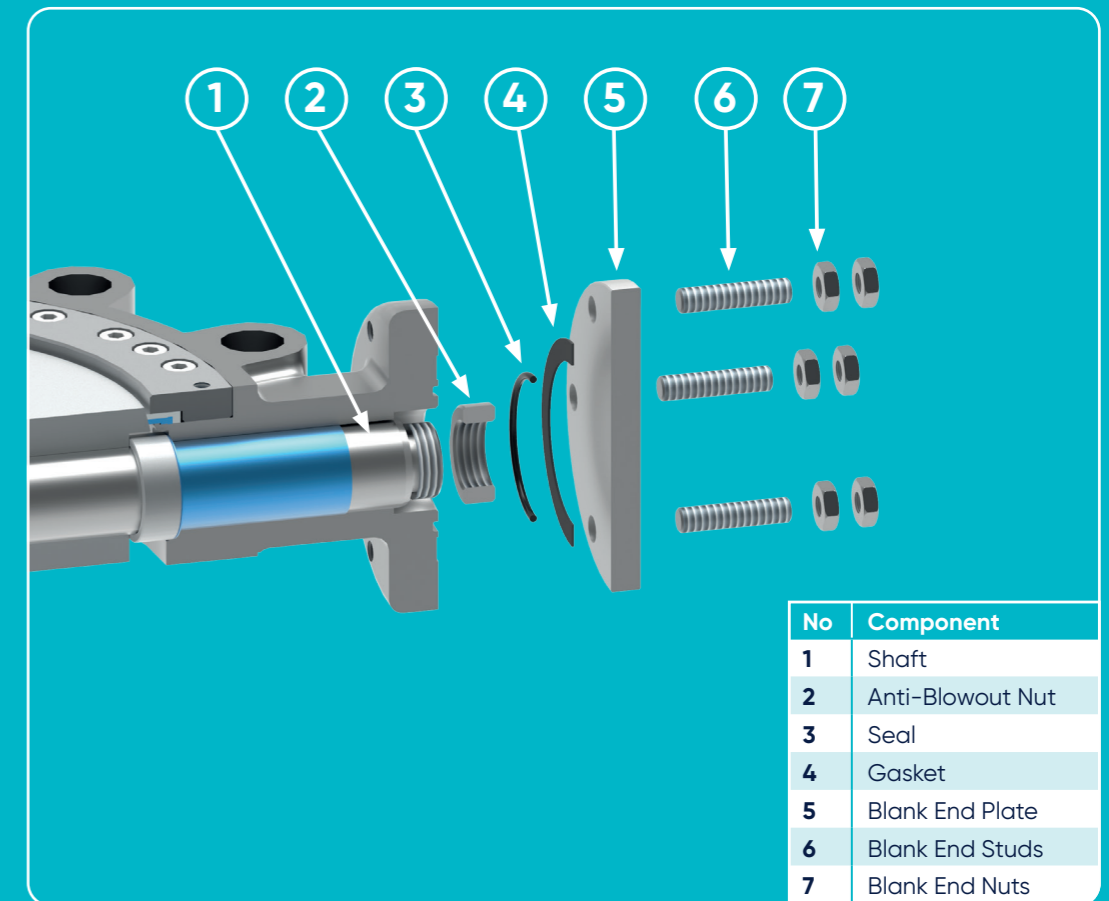


Fire Safe Certified

Firesafe tested and certified to API 6FA, ISO10497 and API 607 (#150 and #300)



**Hybrid Seal Technology**  
Hybrid polymer metallic seal works without the need for additional graphite gaskets.



# Engineering data

## OCT®-SW Design Features

- ✔ Patented "OCT®" sealing technology designed from the outset to provide the ultimate in cutting edge Butterfly Control valve technology
- ✔ No graphite in contact with the line media to remove the risk of galvanic effects
- ✔ Hybrid polymer metallic seal works without the need for additional graphite gaskets
- ✔ Both gland and blank end graphite seals are fully isolated from contact with line media
- ✔ Firesafe certified to API 6FA, ISO 10497 and API 607 (#150 and #300)
- ✔ Internal and external anti-blowout protection as standard

## Performance Benefits

- ✔ Prevents the risk of galvanic corrosion
- ✔ Torque energised seal for low and high pressures
- ✔ Self-compensating design for wear and temperature
- ✔ No internal bolting, eliminating the risk of fasteners loosening due to vibration
- ✔ Disc supplied hard faced as standard for improved abrasion resistance

- ✔ Torque seated design ensures consistent sealing performance
- ✔ Seat leakage Class up to ANSI/FCI 70.2 Class IV to VI, API598 Zero
- ✔ The quarter turn design ensures ease of actuation for both control and on/off duties
- ✔ Standard face to face dimensions to API 609/ISO 5752 and B16.10 with non-standard dimensions available on request
- ✔ Valve size range – 80mm (3") – 600mm (24") with larger sizes up to 72" on request
- ✔ Body pressure ratings #150 and #300, Higher rating on request
- ✔ Design temperature: -30°C to +120°C (-47 to +230°C with alternative seals)
- ✔ Manufactured in aluminium bronze, duplex, super duplex and titanium

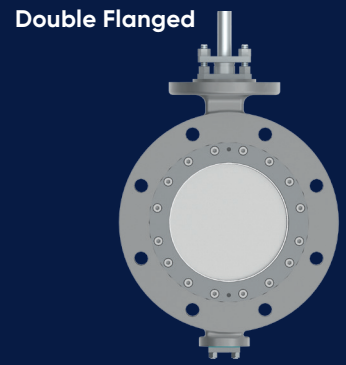
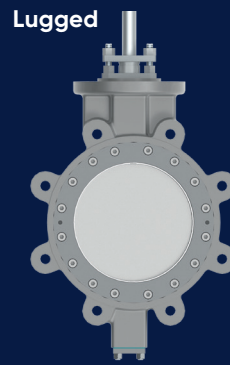
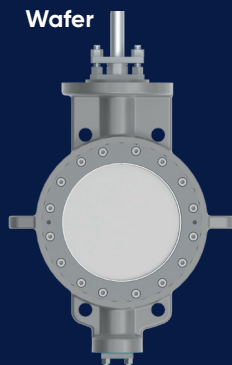
- ✔ Available with a range of low noise and anti-cavitation trims
- ✔ Body mounted seal to reduce wear from line media
- ✔ Fully in-field serviceable
- ✔ Reliable performance. Bubble tight shutoff available

## Dimensions

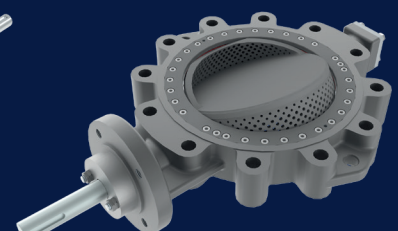
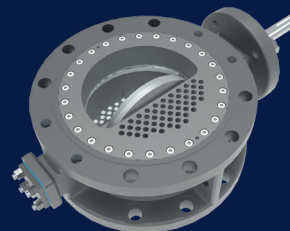
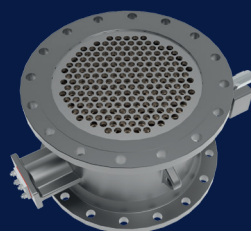
Refer to the 8500 Series brochure for further information on dimensions and sizes.

## Valve body style options

The OCT® - SW Series valve is available in 3 basic body styles, Wafer, Lugged and Double Flanged (long and short pattern). Special face to face options are available on request.



## Trim options available



Engineering Excellence

**Gloucester UK (HQ)**  
Olympus Park,  
Quedgeley,  
Gloucester, GL2 4NF.

T: +44 (0)845 223 2040  
E: sales@severnvalve.com

**Severn India (Unit 1)**  
F96 & F97, SIPCOT Industrial Park,  
Irrungattukottai, Chennai,  
Tamilnadu, India - 602 117.

T: +91 44 4710 4200  
E: sales@severnvalve.com

**Severn India (Unit 2)**  
A-50, SIPCOT Industrial Growth  
Centre, Oragadam, Chennai -  
Tamilnadu, India - 602105

T: + 044 67123200  
E: sales@severnvalve.com

**Centre of Engineering Excellence**  
Crossley Mills, Dean Clough,  
Halifax, HX3 5AX

T: +44 (0)845 6070 710  
E: sales@severnvalve.com

[www.severnvalve.com](http://www.severnvalve.com)

Our policy is one of continuous improvement and we reserve the right to modify these specification details without notice.

V1.2