

# 39M Series

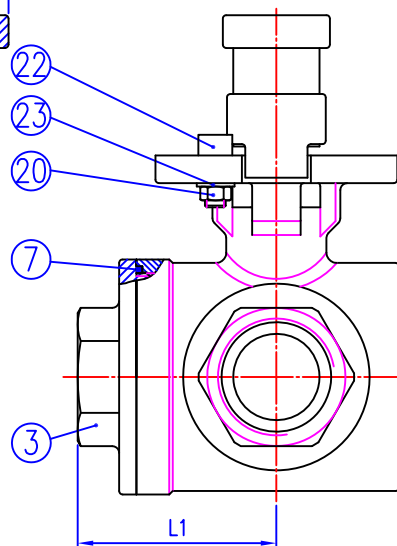
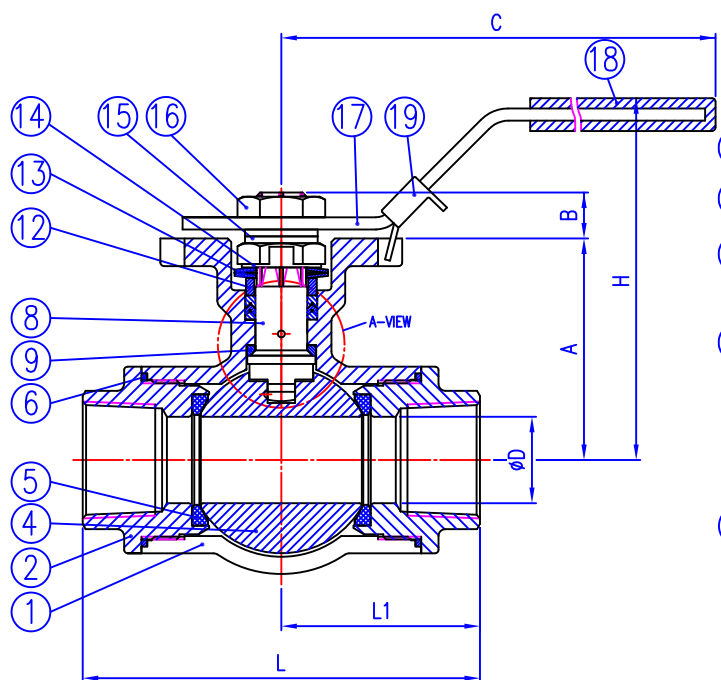
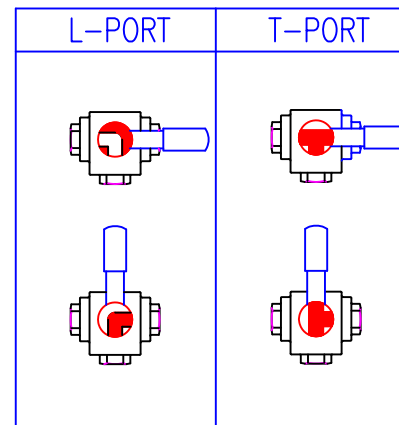
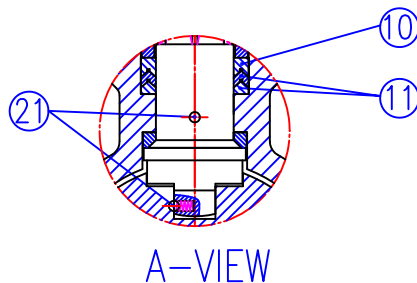
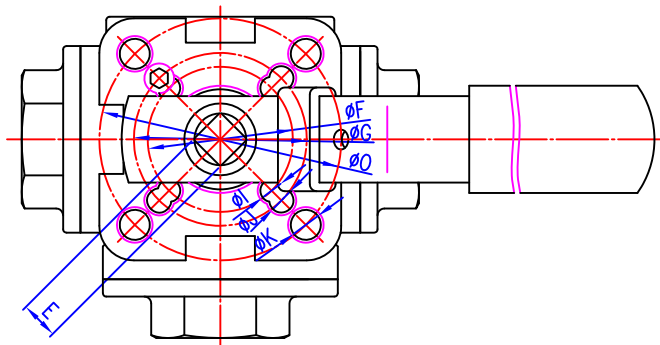
## 3-Way T-Port L-Port

### FULL BORE / REDUCED BORE

### THREADED ENDS 1000PSI

### MATERIALS LIST

NO.	PART NAME	QTY	MATERIAL
1	BODY	1	CF8M
2	END CAP-A	2	CF8M
3	END CAP-B	1	CF8M
4	BALL	1	1/4"-1/2": SS316 3/4"-2": CF8M
5	SEAT	4	RTFE
6	JOINT GASKET-A	2	PTFE
7	JOINT GASKET-B	1	PTFE
8	STEM	1	SS316
9	STEM SEAL	1	RTFE
10	STEM PACKING	1	25% GLASS FIBER FILLED+PTFE
11	STEM PACKING	@	PTFE
12	GLAND	1	SS304
13	BELLEVILLE WASHER	2	SS301
14	LOCK SADDLE	1	SS304
15	STEM WASHER	1	SS304
16	STEM NUT	2	SS304
17	HANDLE	1	SS304
18	HANDLE SLEEVE	1	VINYL
19	LOCKING DEVICE	1	SS304
20	PIN NUT	1	SS304
21	Anti-static Device	2	SS316
22	STOP PIN	1	SS304
23	WASHER	1	SS304



1000 WOG BALL VALVE

### DIMENSION(mm)

SIZE		A	B	C	ØD	E	ØF	ØG	ØO	H	ØI	ØJ	ØK	F		L1		ISO5211
F	R													F	R	F	R	
1/4"		38.1	9	140	11	9	36	42	/	75	6	6	/	72	/	36	/	F03/F04
3/8"	1/2"	38.1	9	140	12.5	9	36	42	/	75	6	6	/	72	72	36	36	F03/F04
1/2"	3/4"	43.9	9	151	15	9	36	42	50	88	6.5	7	/	83	83	41.5	41.5	F03/F04/F05
3/4"	1"	54.2	10.5	166	20	11	42	50	/	93	6	7	/	99	110	49.5	55	F04/F05
1"	1-1/4"	64.1	10.5	183	25	11	42	50	70	109	6.5	7	9	112	125	56	62.5	F04/F05/F07
1-1/4"	1-1/2"	78.5	13.5	216	32	14	50	70	/	128	7.5	9	/	125	125	62.5	62.5	F05/F07
1-1/2"	2"	94.9	18.5	263	38	17/19	70	102	/	154	10	12	/	149	149	74.5	74.5	F07/F10
2"		101.6	19.5	313	50	17/19	70	102	/	161	10	12	/	174	/	87	/	F07/F10

PS: @ For 1/4" to 3/8"-1pcs  
 @ For 1/2" to 1-1/4"-2pcs  
 @ For 1-1/2" to 2"-3pcs

					MATERIAL	DATE	2017'02,23	CHECKED BY		DRAW BY	Flora L
						DRAWING	V39M-F+R	DRAWING NAME	V39M		
ORDER	DATE	REASON FOR CHANGE	Legend	CHANGE BY	REMARK						